

Product information

92 11 03

Positioning Tweezers



- Makes it easy to hold, insert and pull even the smallest elongated components
- With gripping surfaces in dimensionally adapted designs, for example for firmly and securely positioning or pulling sensitive rounded or cuboid components
- For through-hole technology (THT) and pin-in-hole technology (PIH)
- Antimagnetic to avoid electromagnetic damage
- Stainless steel

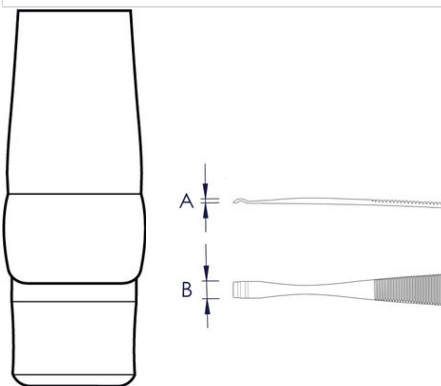


General

Article No.	92 11 03
EAN	4003773085553
Material	stainless steel
Gripping surfaces	smooth gripping surfaces
Weight	15 g
Dimensions	122 x 10 x 14.5 mm
Reach	no
RohS	no

Technical details

Tips width (A)	2.5 mm
Tips width (B)	4 mm
Corrosion-resistant	yes
	no
VDE tested	no
sectors	electronics



Classification

eCl@ss 5.1.4	21040500
ETIM 5.0	EC000182
ETIM 6.0	EC000182
proficl@ss 6.0	EAB696c019

technical change and errors excepted